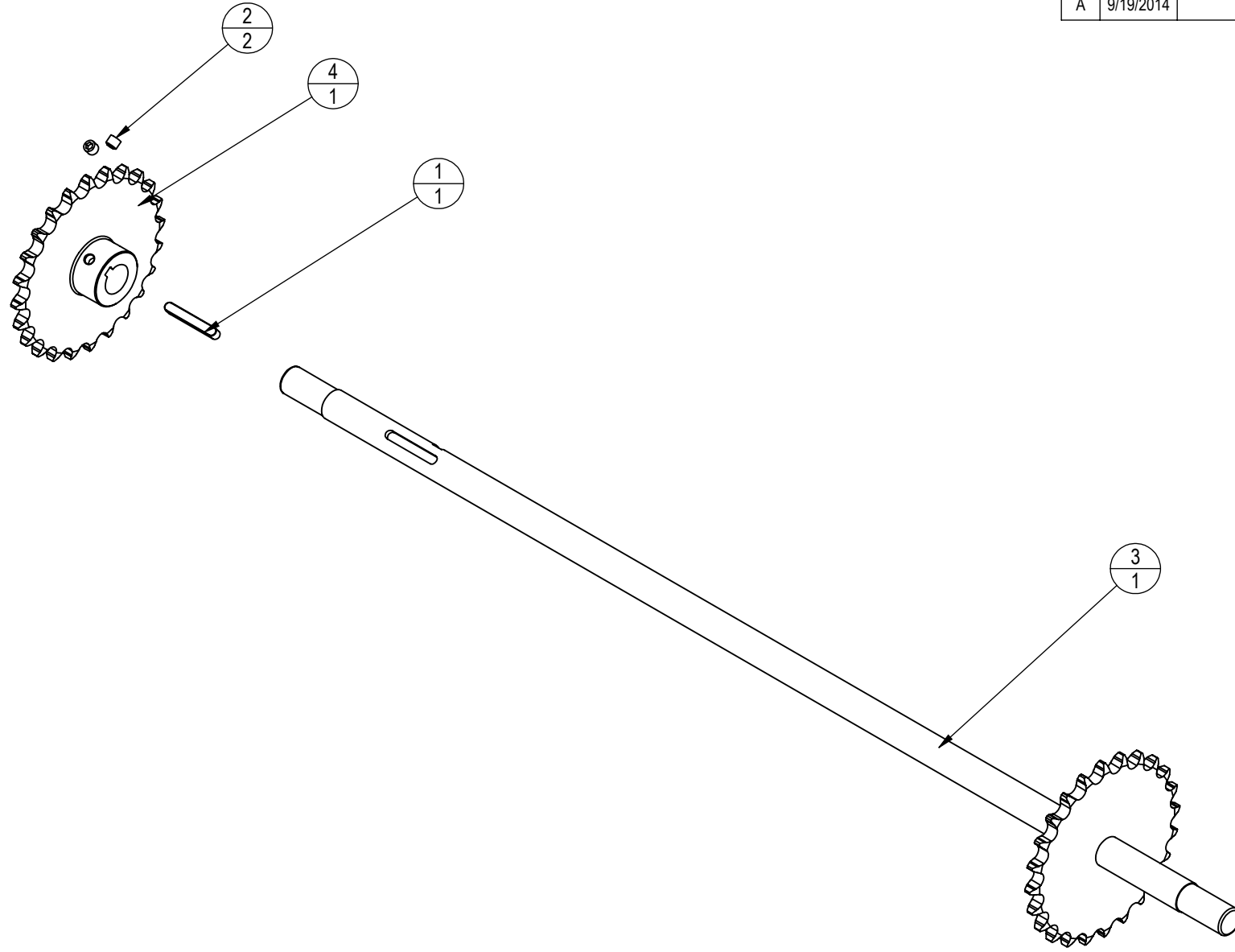


- NOTES: (UNLESS OTHERWISE SPECIFIED)
- ASSEMBLE ITEMS BEFORE PACKAGING.
 - PACKAGE ITEMS IN A MANNER THAT THEY WILL NOT BE DAMAGED DURING SHIPPING/STORAGE.
 - PACKAGE KIT IN A PLASTIC BAG WITH P/N, DESCRIPTION, REVISION, PO#. ONE KIT PER BAG.
 - SPARES LABEL PACKAGE TO INCLUDE
 - PO NUMBER AND DATE
 - ASSEMBLY NUMBER
 - BAR CODE OF ASSEMBLY NUMBER (CODE 128)
 - ASSEMBLY DESCRIPTION
 - ASSEMBLY REVISION
 - WEIGHT (LBS/KGs)

REVISION HISTORY				
REV	DATE	DESCRIPTION	ECO	BY
A	9/19/2014	DRAWING RELEASE	14796	JEB



ITEM NO.	PART NUMBER	DESCRIPTION	QTY.
1	140-3574	KEY, 3/16" X 3/16" X 1.375"	1
2	723-0110	SCREW, SET, M6X5	2
3	723-0278	WELDMNT, DRIVE SHAFT, LOWER, SM3	1
4	723-0280	SPROCKET, KEYED, ROLLER CHAIN #40, 16mm ID, SM3	1

DOCUMENT STATUS:

NOTICE OF PROPRIETARY INFORMATION
 THIS DOCUMENT SHALL NOT BE REPRODUCED NOR SHALL THE INFORMATION CONTAINED HEREIN BE USED BY OR DISCLOSED TO OTHER EXCEPT AS EXPRESSLY AUTHORIZED BY CORE HEALTH & FITNESS, LLC.

CLASS OF WORK	UNLESS OTHERWISE SPECIFIED DIMS ARE IN mm. TOLERANCES FOR MEASURE OF LENGTH ARE:							ANGLES = ±2°
	0.5 to 3	> 3 to 6	> 6 to 30	> 30 to 120	> 120 to 400	> 400 to 1000	> 1000 to 2000	
FINE	±0.05	±0.05	±0.1	±0.15	±0.2	±0.3	±0.5	----
MEDIUM	±0.1	±0.1	±0.2	±0.3	±0.5	±0.8	±1.2	±2
COARSE	±0.2	±0.3	±0.5	±0.8	±1.2	±2	±3	±4
VERY COARSE	----	±0.5	±1	±1.5	±2.5	±4	±6	±8

MATERIAL
SEE BOM

FINISH
N/A

VENDOR:

P/N:

THIRD ANGLE PROJECTION



CORE HEALTH & FITNESS, LLC
 4400 NE 77th Ave., Suite 300
 Vancouver, WA 98662

DRAWN	INITIAL JEB	DATE 09/19/14
CHECKED		
APPROVED		

CORE PART NO. 723-0278-KT	REV A
TITLE KIT, WELDMNT, DRIVE SHAFT, LOWER, SM3	
SCALE: 1:3	SHEET 1 OF 1
SHEET SIZE: B	



General Information

THE INFORMATION CONTAINED HEREIN IS PROPRIETARY AND CONFIDENTIAL TO CORE FITNESS, LLC. AND SHALL NOT BE USED OR DISCLOSED, IN WHOLE OR IN PART, WITHOUT FIRST OBTAINING THE WRITTEN PERMISSION OF CORE FITNESS, LLC.

REV	DATE	DESCRIPTION	ECO NO.	CHG BY
A	1/7/2016	DOCUMENT RELEASE		JFC



ORIGINATOR: JULIAN CHAVEZ	CORE INDUSTRIES, INC. / STAIRMASTER 4400 NE 77TH. AVENUE, SUITE 300 VANCOUVER, WA 92606 USA
EDITED BY:	TITLE: CSB – SM3 Change List

CSE DEPT DOC INFO	CSE DOC FILENAME: 637-4266A.doc	CSE DOC NUMBER: 637-4266	REVISION A
--------------------------	---	------------------------------------	----------------------

SM3 Change List

SM3 (140001)

This document outlines the major mechanical changes that have been made to the SM3 since release.

- Central drive shaft change – Starting with 140001DAY14330001
 - Redesign (723-0274-KT) replaced the original central drive shaft with a collar and keyway design to increase strength in piece. (Fig. 1)

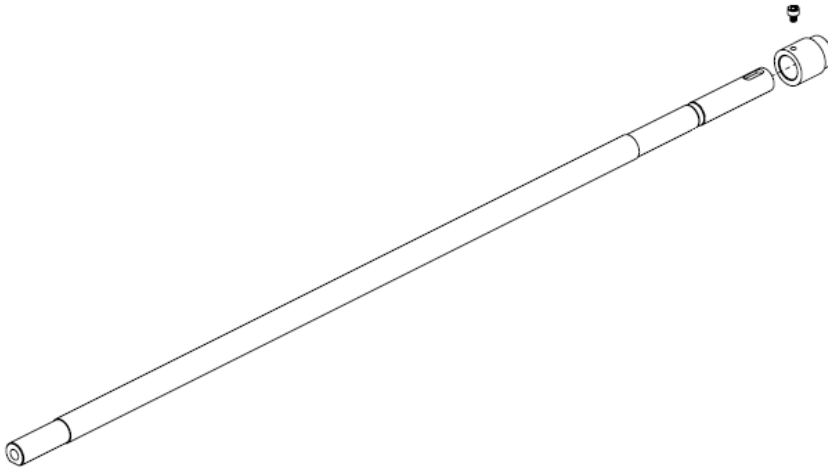


Fig. 1

- Lower sprocket assembly change – Starting with 140001DAY14330001
 - Redesign (723-0278-KT) lower sprocket assembly with a keyway design to increase strength in piece (Fig. 2)

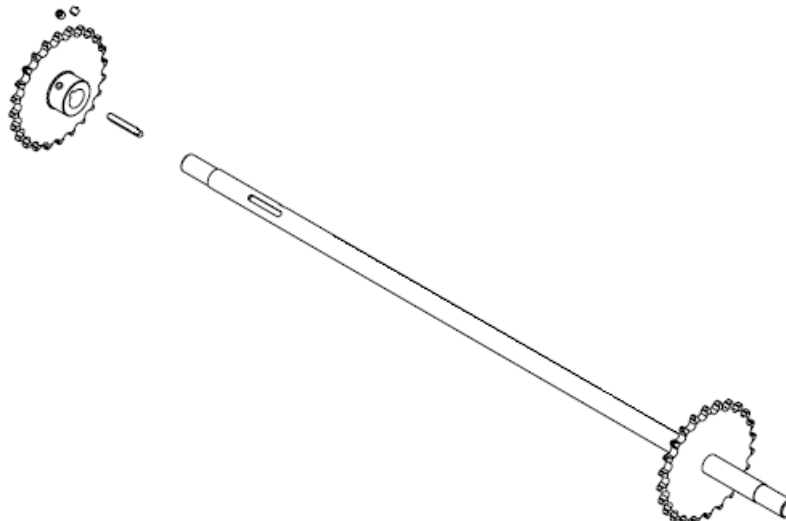


Fig. 2

- Upper sprocket assembly change – Starting with 140001DAY14330001
 - Redesign (723-0279-KT) upper sprocket assembly with a keyway design to increase strength in piece (Fig. 3)

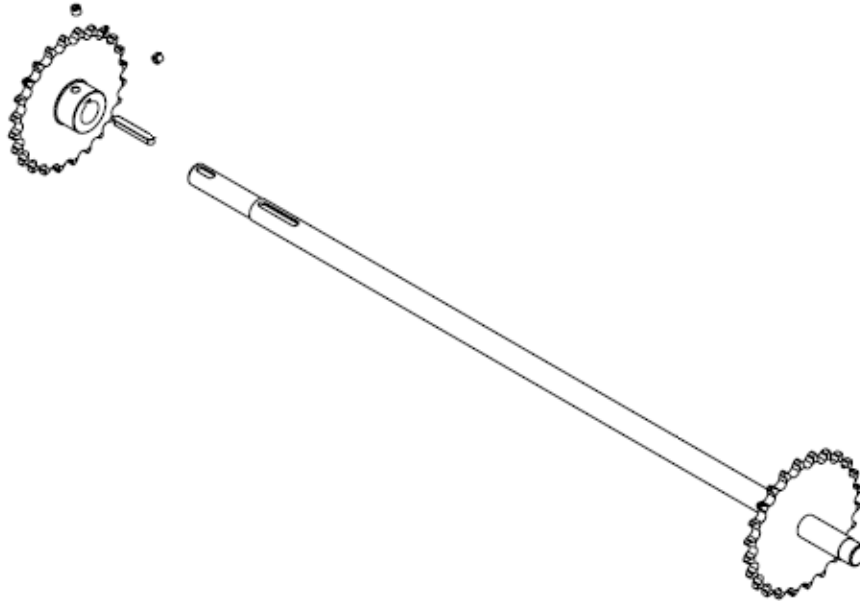


Fig. 3

- Frame and idler assembly change – Starting with 140001DAY14490001
 - Redesign frame to accommodate new idler (723-0281) design to reduce chance of belt slippage and increase consistency in step rate (Fig. 4) **Please note that this is not a retrograde fitting that can be applied to SM3s prior to serial number 140001DAY14490001.**

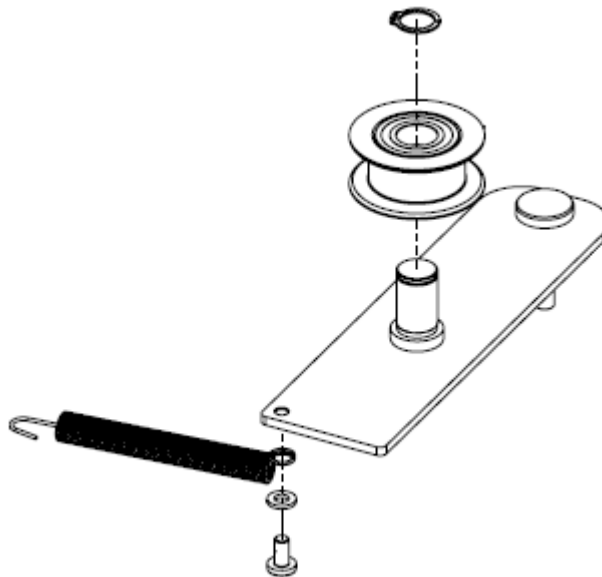


Fig. 4